

Figure 0-1
ABSTRACT SCHEMATIC

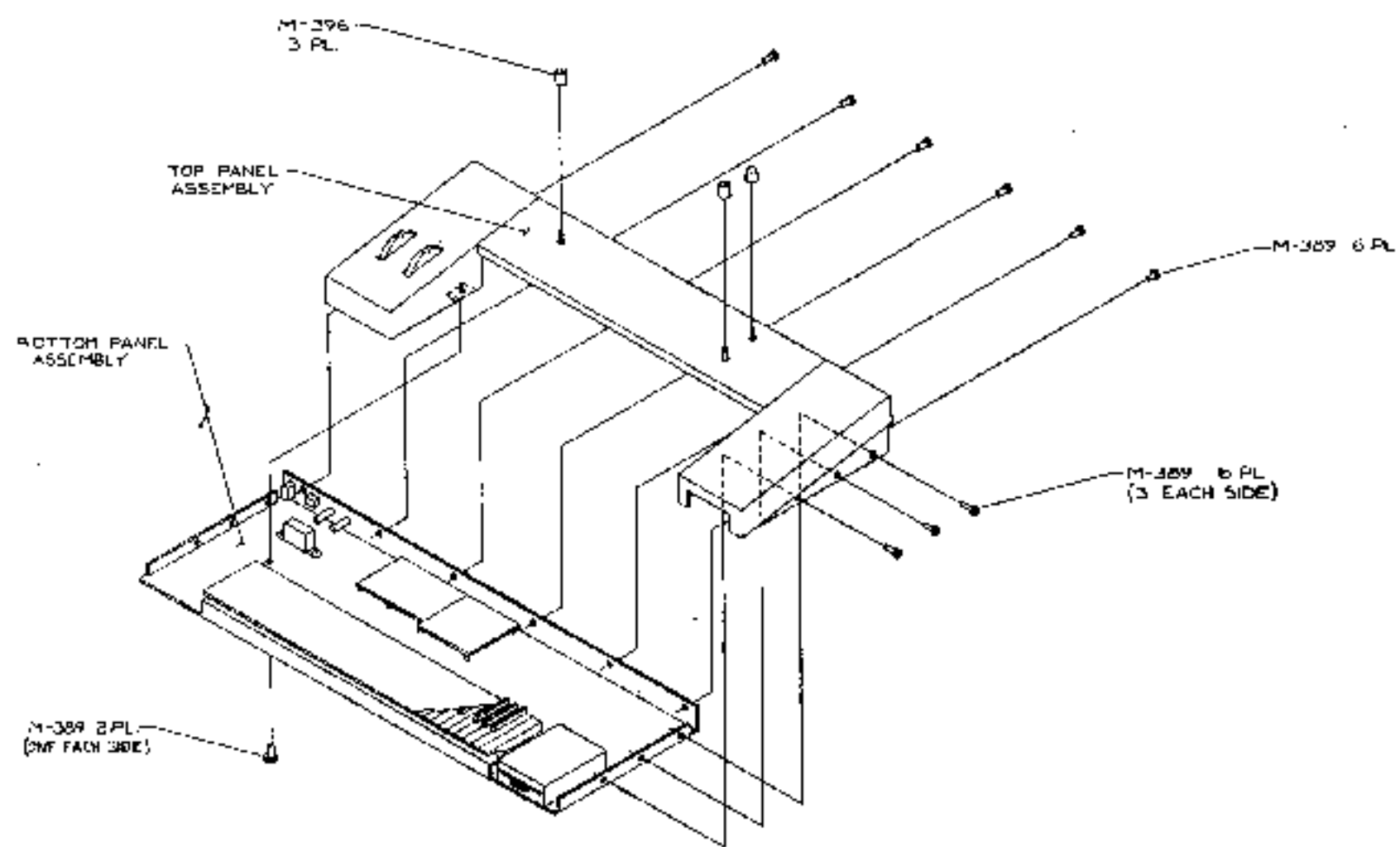


Figure 0.2
POSITION OF BOTTOM PANEL SCREWS

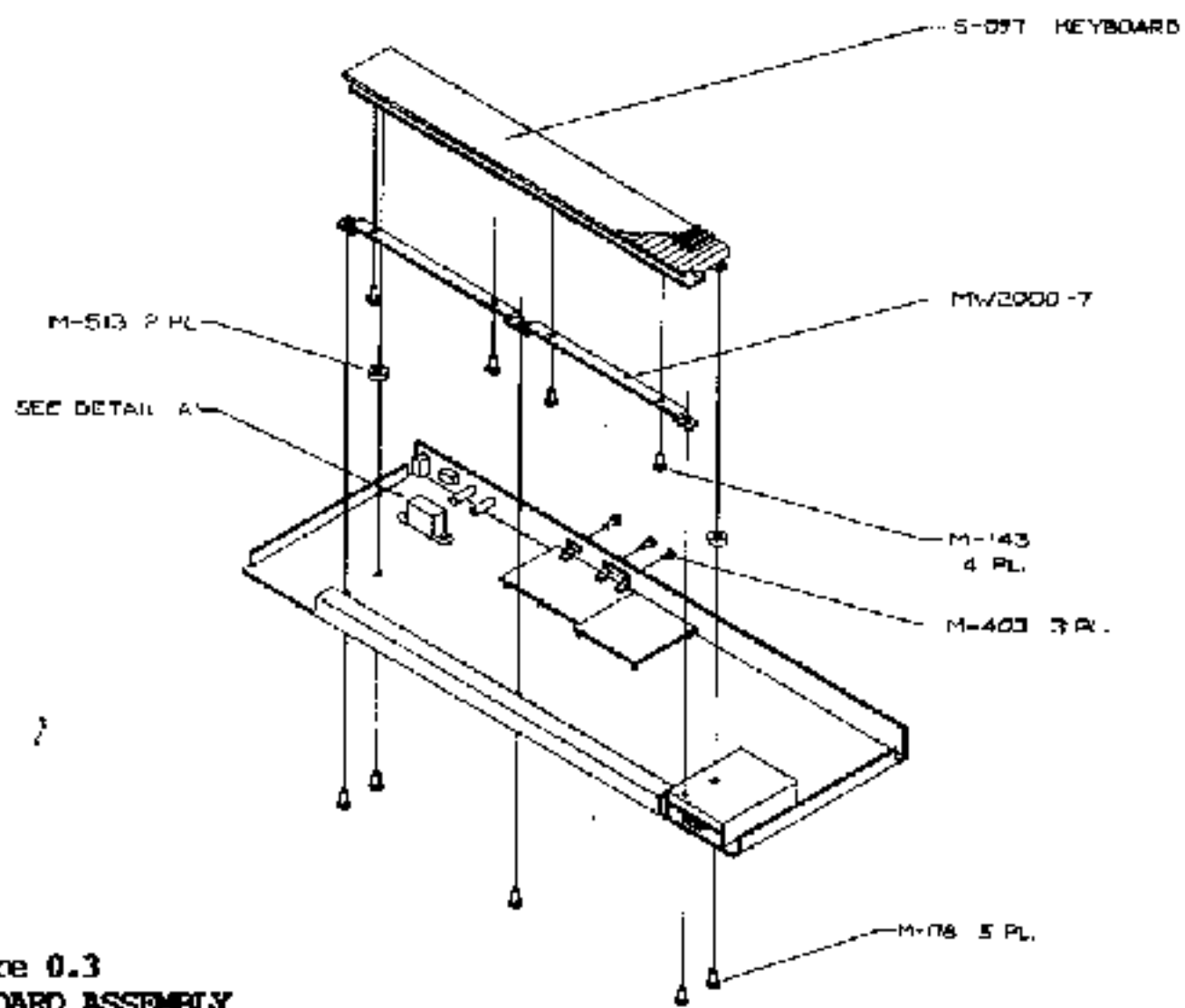


Figure 0.3
KEYBOARD ASSEMBLY

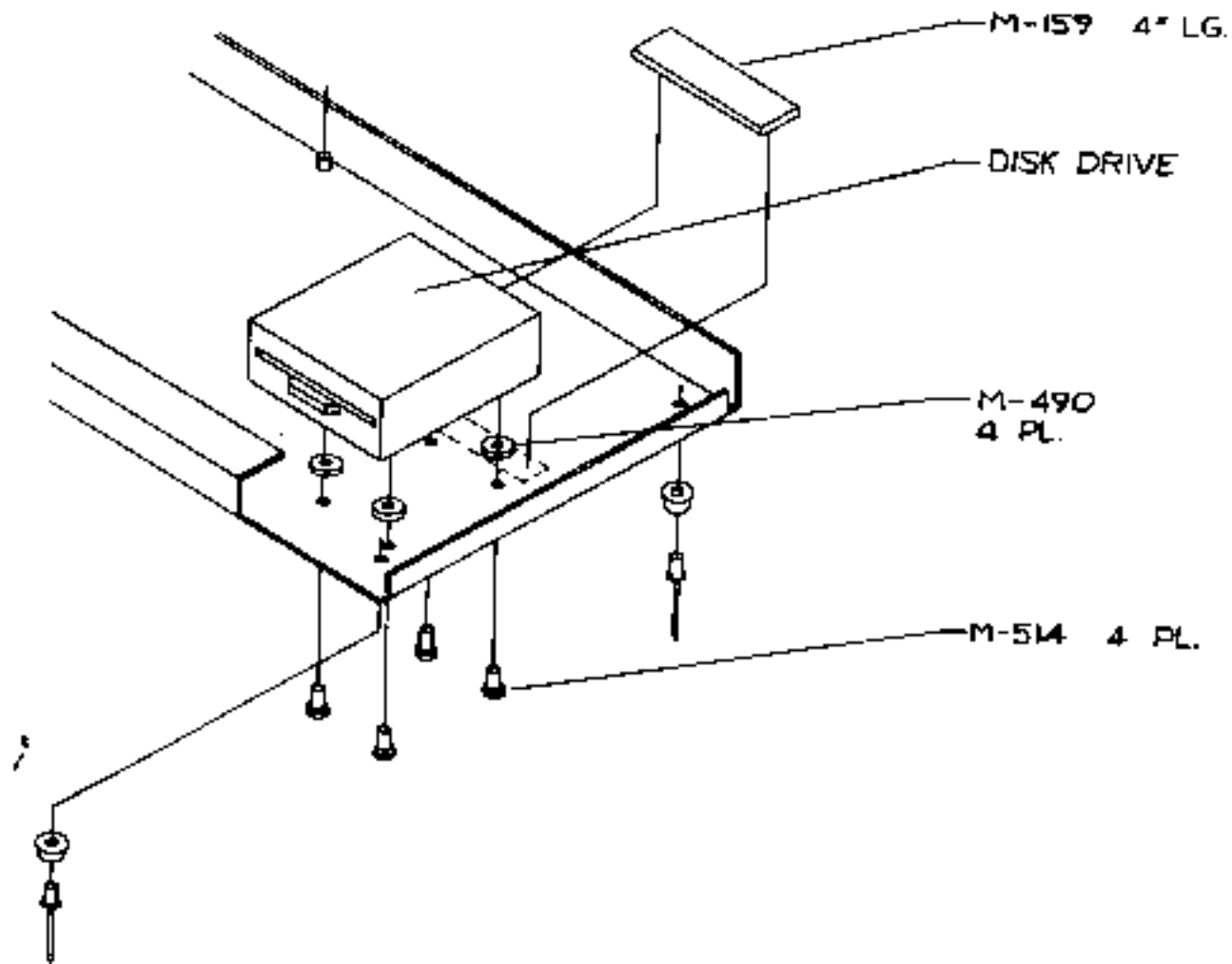
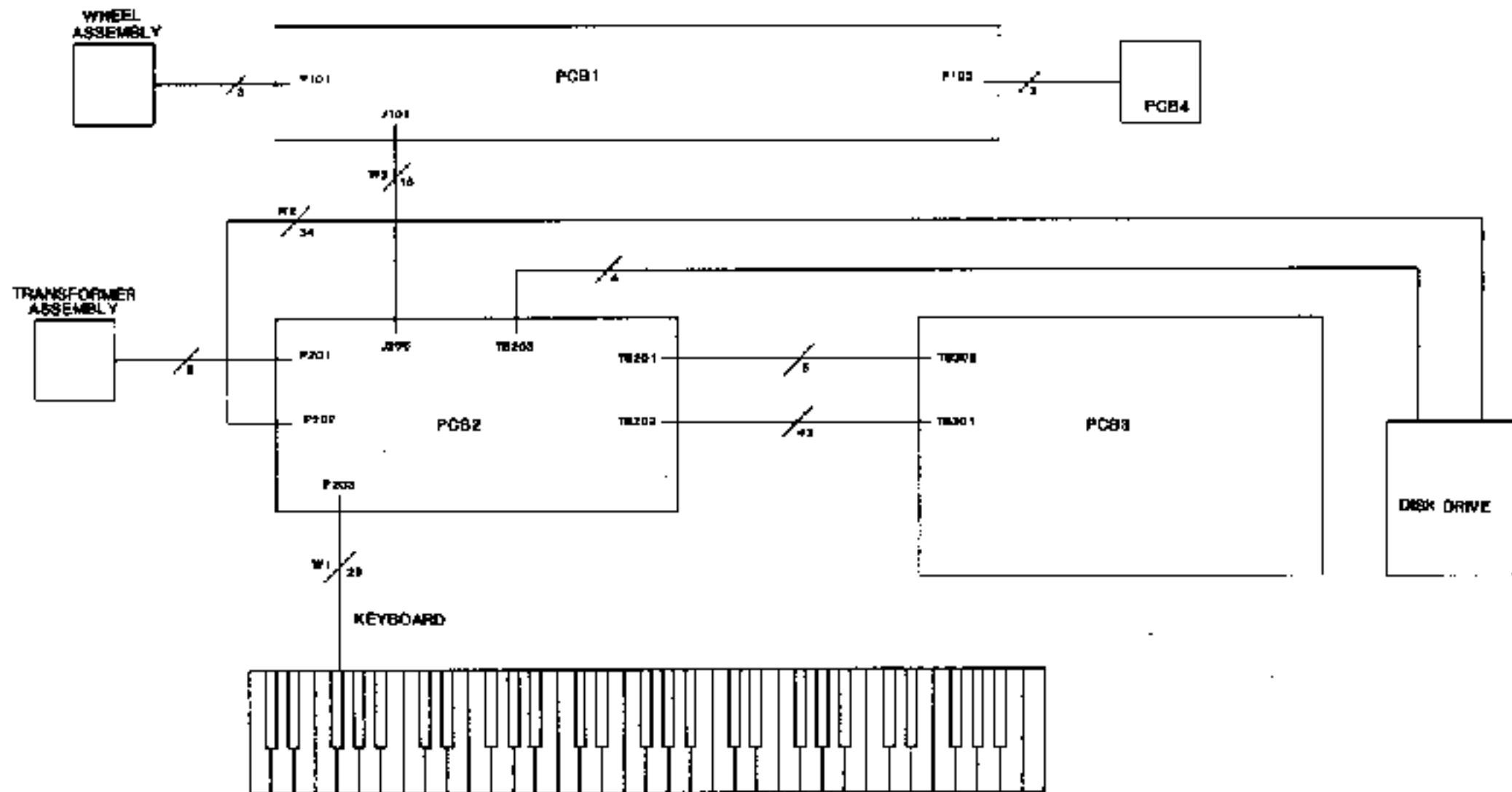
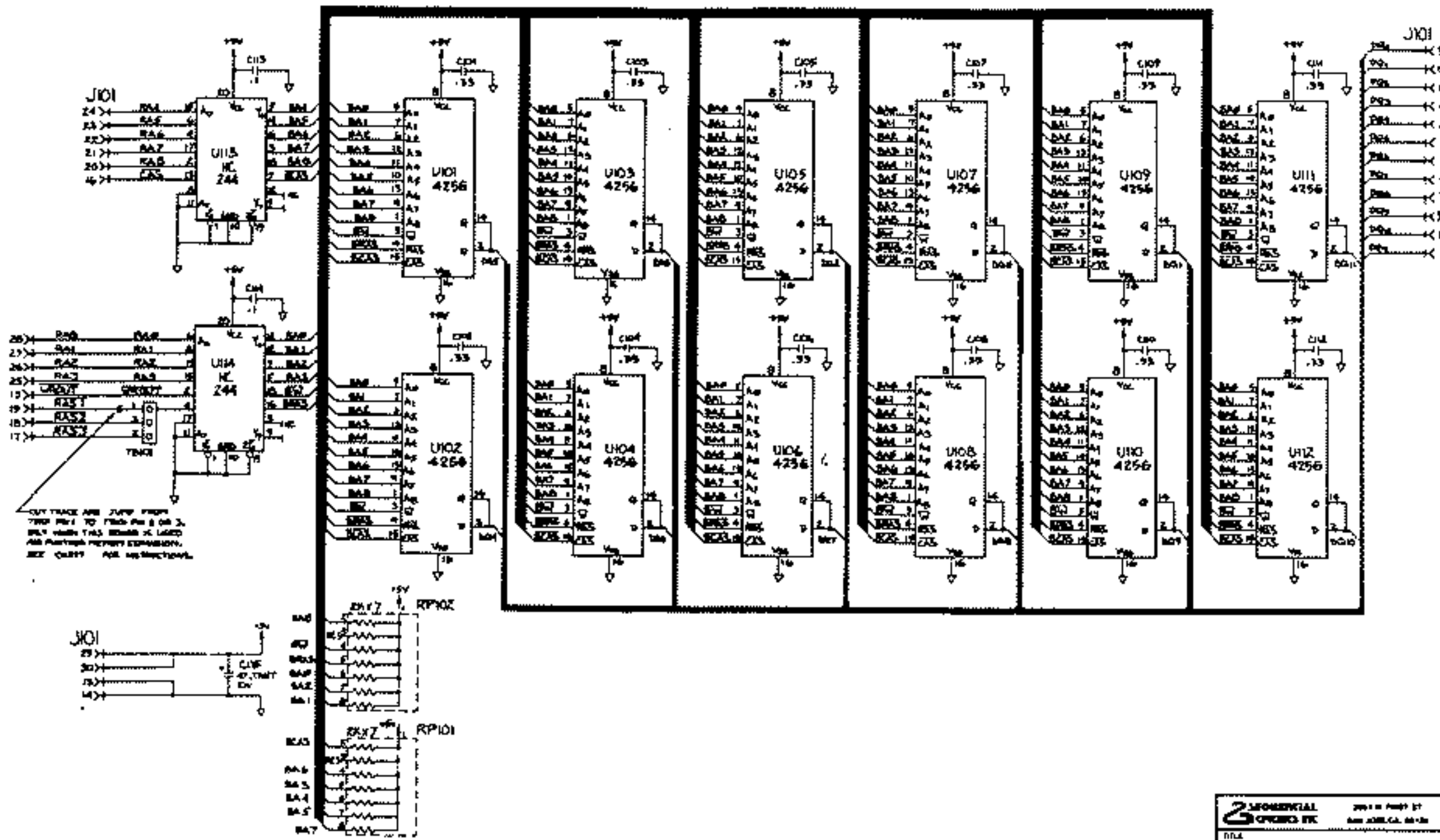


Figure 0.4
POSITION OF DISK DRIVE SCREWS

Figure 0.5
INTERCONNECTION DIAGRAM





CUT TRACE AND JUMP FROM
 TRAILER TO TRAILER ON 2,
 BUT WITH THIS BOARD IN PLACE
 ALL PARTS REMAIN EXPOSED.
 SEE CHECK FOR INSTRUCTIONS.

		2401 W. PARK ST. SAN JOSE, CA. 95128
FILE 256K MEMORY EXPANSION BOARD		
REV D	DRAWING NO. PC877	REV A

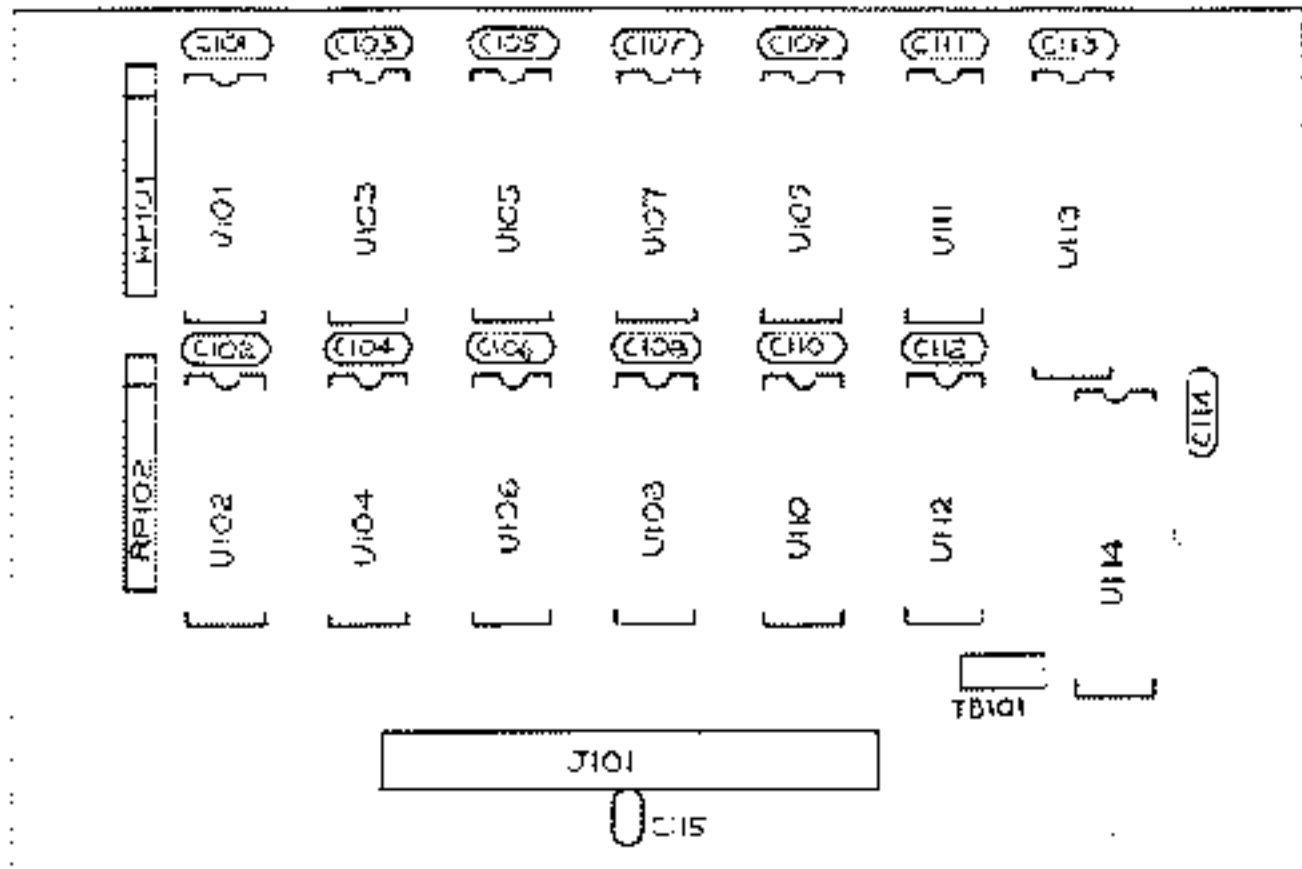
4

3

2

1

REVISIONS			
REV	DESCRIPTION	DATE	APPROVED

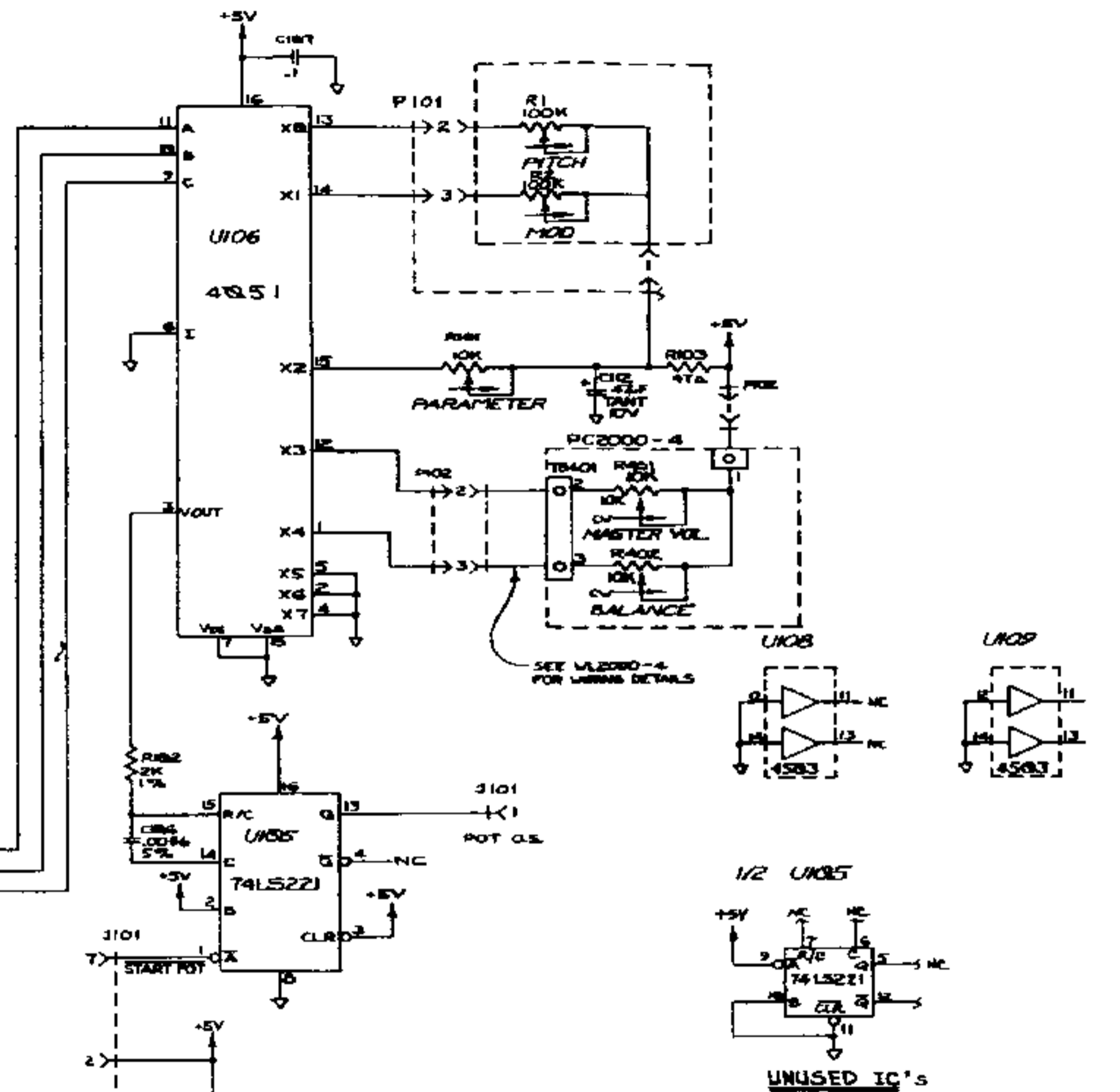
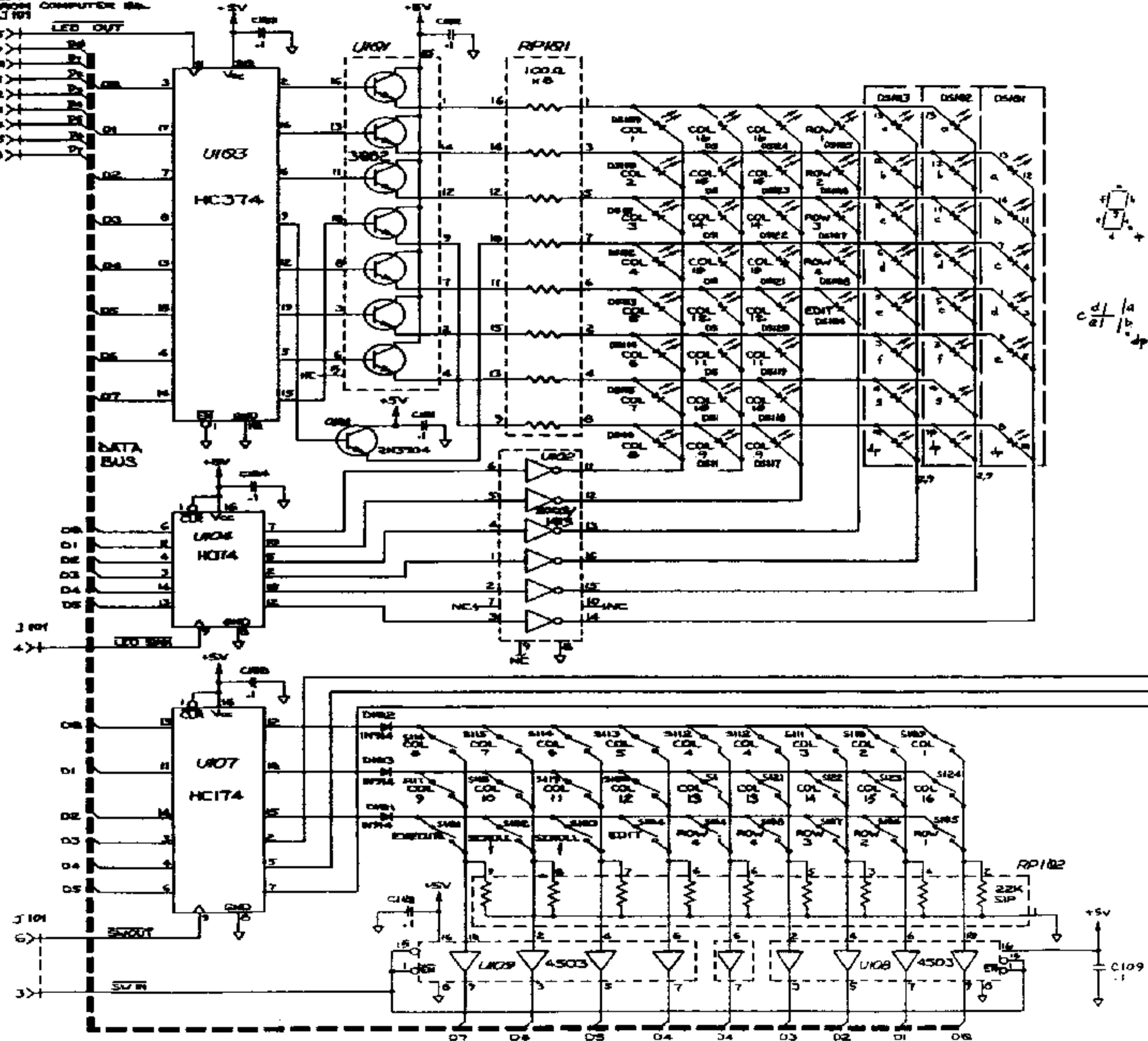


	872
NEXT ASSY	U872 PM
APPLICATION	

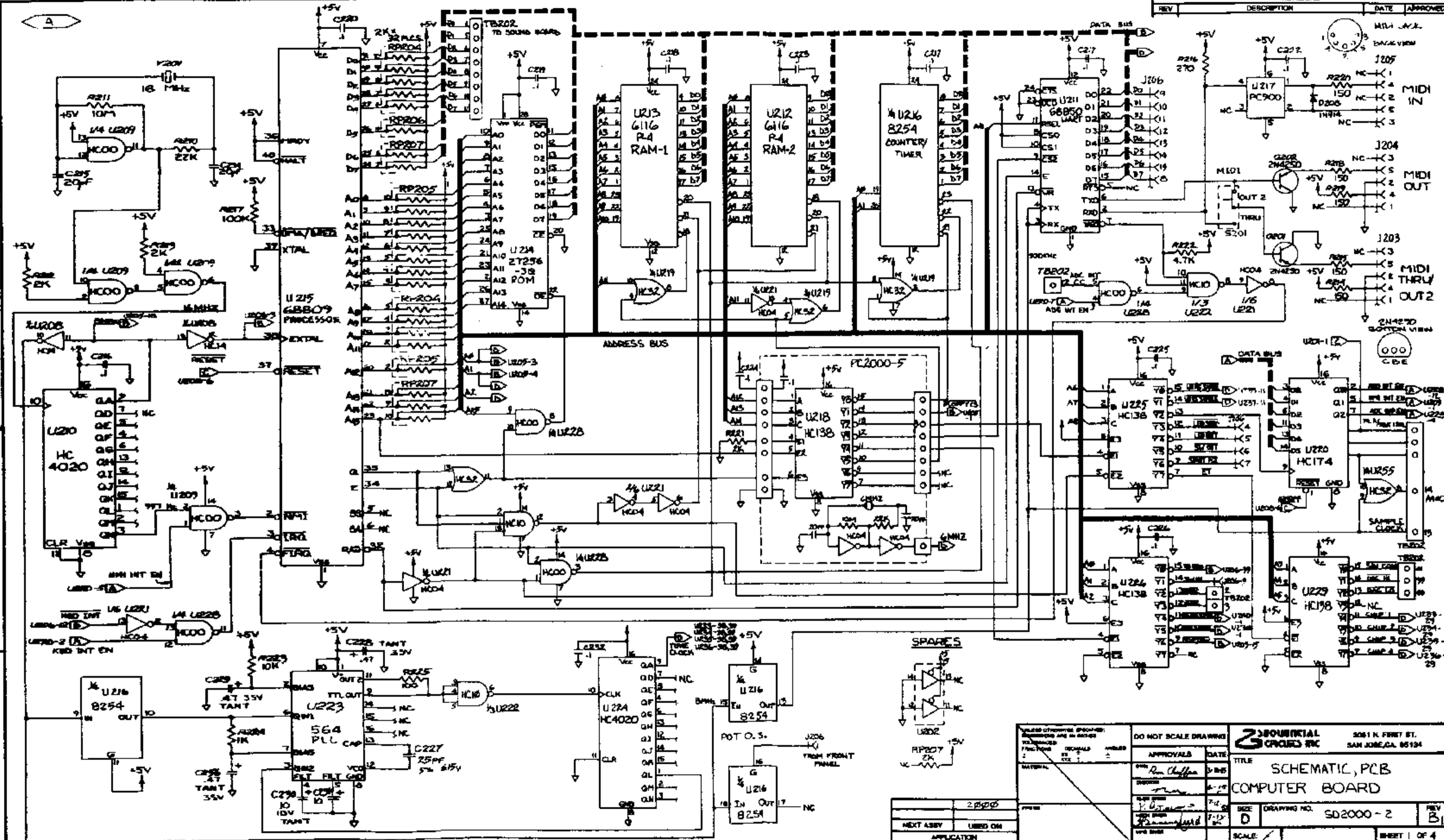
DO NOT SCALE DRAWING	
APPROVALS	DATE
DRAWN <i>Ron Chaffin</i>	7-9-88
CHECKED	7-9-88
ELCD, ENGR	
WFO, CHGN	
WFO, ENGR	

		305 F N, FIRST ST. SAN JOSE, CA 95134	
TITLE DESIGNATOR MAP			
S.S.	DRAWING NO.	REV	
B	PP877	SI	
SCALE - 2/1		SHEET 1 OF 1	

REVISIONS			
REV	DESCRIPTION	DATE	APPROVED
A	RELEASE PER ECD # O-341	8-31-85	R.C.
B	CHANGE PER ECD # O-356	7-11-86	R.C.

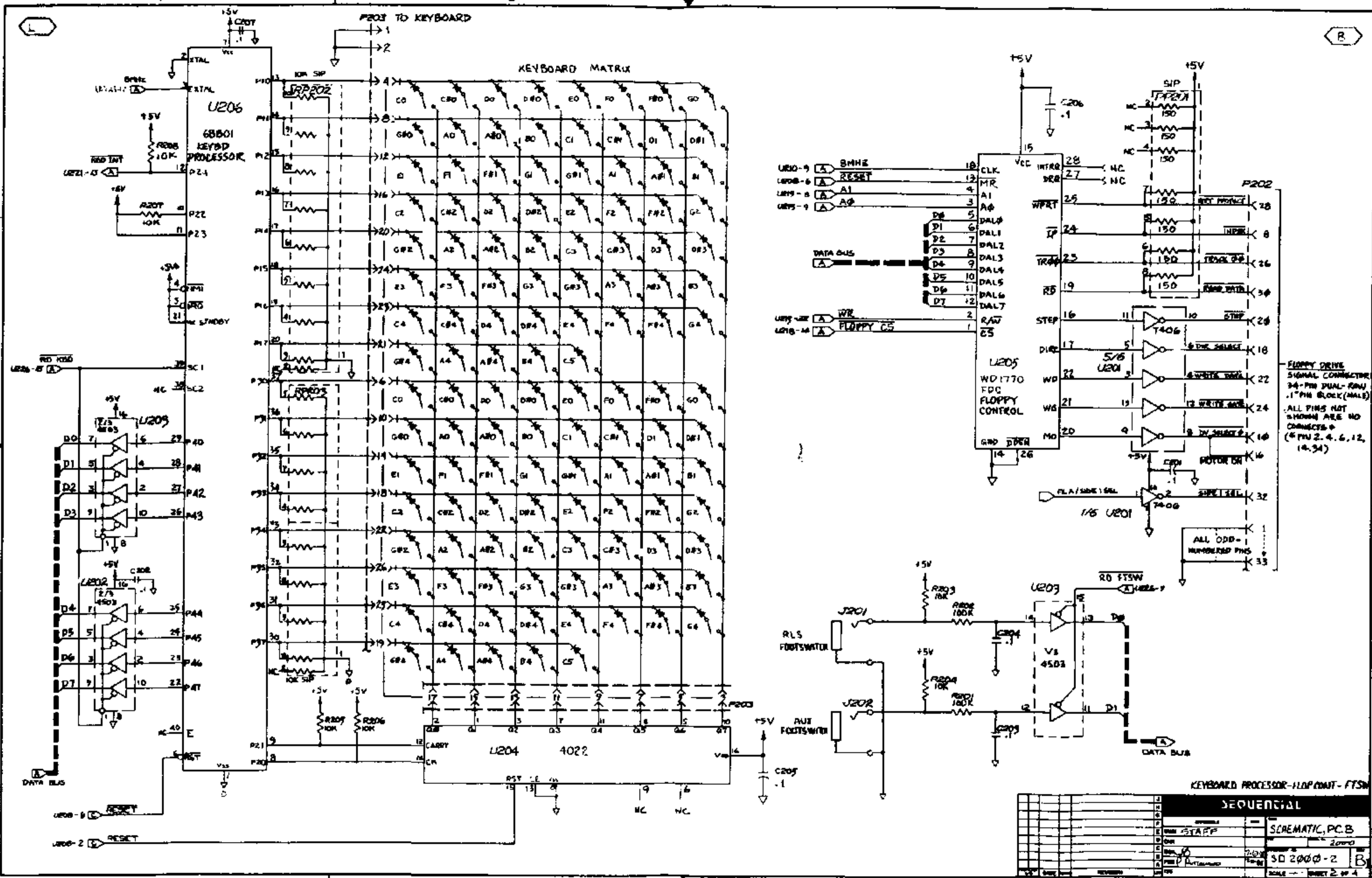


DO NOT SCALE DRAWING		APPROVALS		DATE	SEQUENTIAL GROUP INC.		3081 N. FIRST ST. SAN JOSE, CA. 95134	
DESIGNED BY	DESIGNED BY	DESIGNED BY	DESIGNED BY	DESIGNED BY	TITLE	FRONT PANEL BD. SCHEMATIC	SIZE	D
DATE	DATE	DATE	DATE	DATE	DRAWING NO.	SD2000-1	REV	B
SCALE	N/A	SHEET		1 OF 1				



REV	DESCRIPTION	DATE	APPROVED

DO NOT SCALE DRAWING		3 SBOUNCEAL CIRCUITS INC		5051 N. FIRST ST. SAN JOSE, CA. 95134	
APPROVALS	DATE	TITLE SCHEMATIC, PCB COMPUTER BOARD			
		DRAWING NO. SD2000-2			
		REV B1			
		SCALE			
		SHEET 1 OF 4			

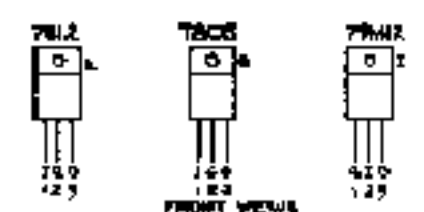
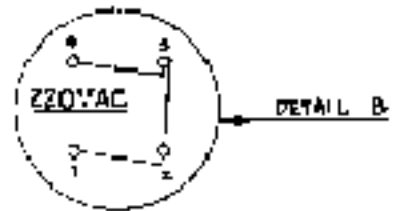
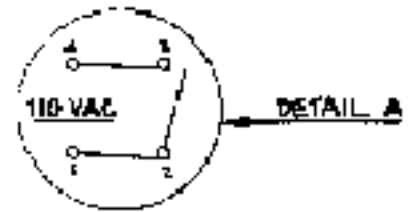
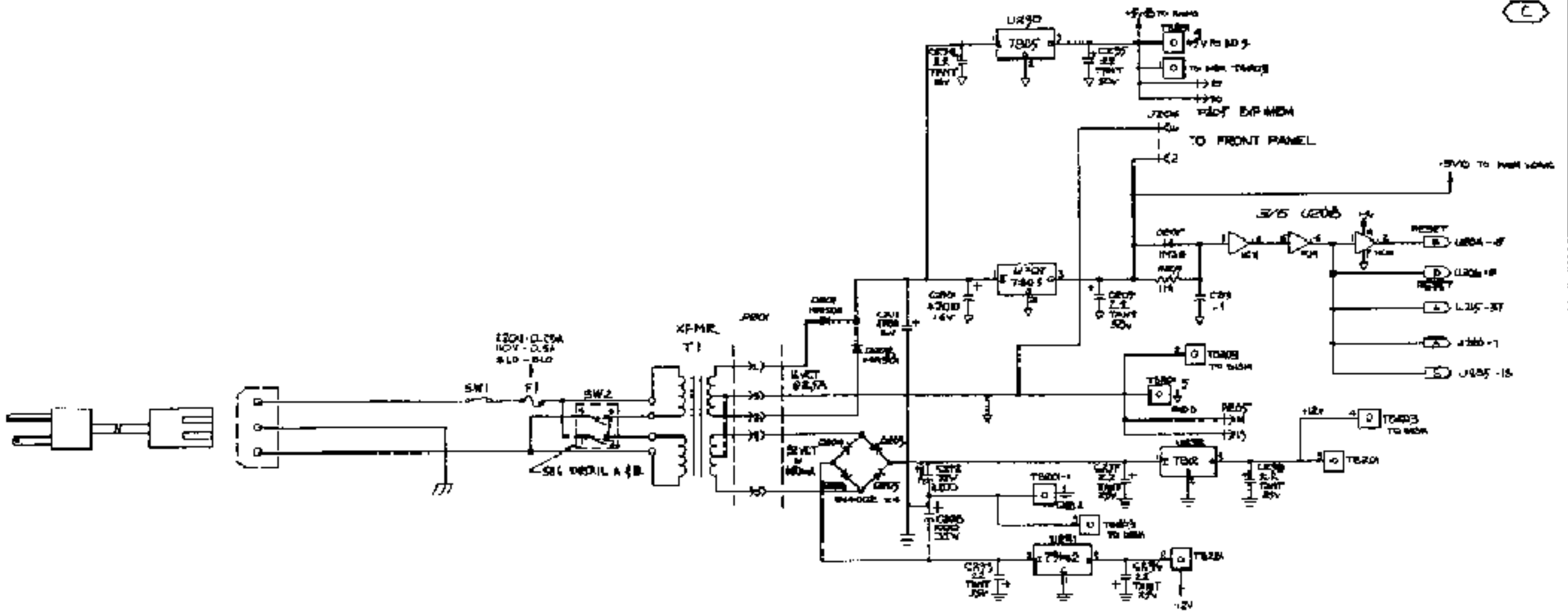


FLOPPY DRIVE SIGNAL CONNECTOR 34-PIN DUAL-ROW .1" PITCH BLOCK (MALE)
 ALL PINS NOT SHOWN ARE NO CONNECTS
 (* PIN 2, 4, 6, 12, 14, 34)

KEYBOARD PROCESSOR-110P CONT-FTSW

SEQUENTIAL	
1	SCHEMATIC, PCB
2	20000-2
3	SCALE 1:1
4	SHEET 2 OF 4

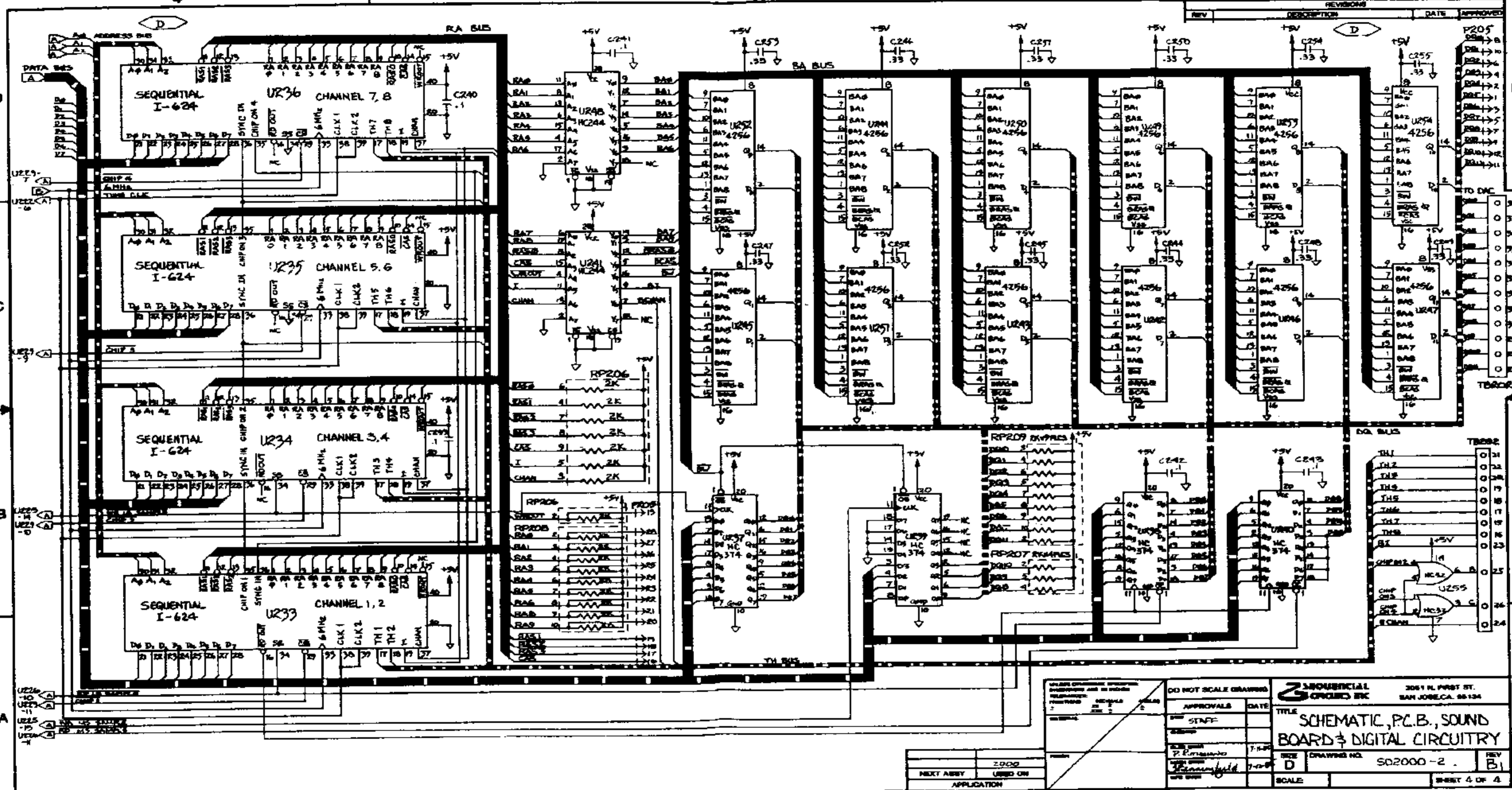
REVISIONS			
REV	DESCRIPTION	DATE	APPROVED



↓ DIGITAL GND
 ⊥ ANALOG GND
 ⏏ CHASSIS GND

		3801 N. FIRST ST. SAN JOSE, CA 95134	
TITLE: SCHEMATIC, PC B, POWER SUPPLY			
DES: D DATE:	DRAWING NO: 502000-2	REV: 1	SHEET 3 OF 4

22 Rev 1 7-85



REV	DESCRIPTION	DATE	APPROVED

DO NOT SCALE DRAWING

APPROVALS: _____ DATE: _____

STAFF: _____

DESIGNED BY: P. L. ...

DATE: 7-1-78

DRAWN BY: ...

DATE: 7-1-78

3 SHORELINE ELECTRONIC INC. 2051 N. FIRST ST. SAN JOSE, CA 95134

TITLE: SCHEMATIC, P.C.B., SOUND BOARD & DIGITAL CIRCUITRY

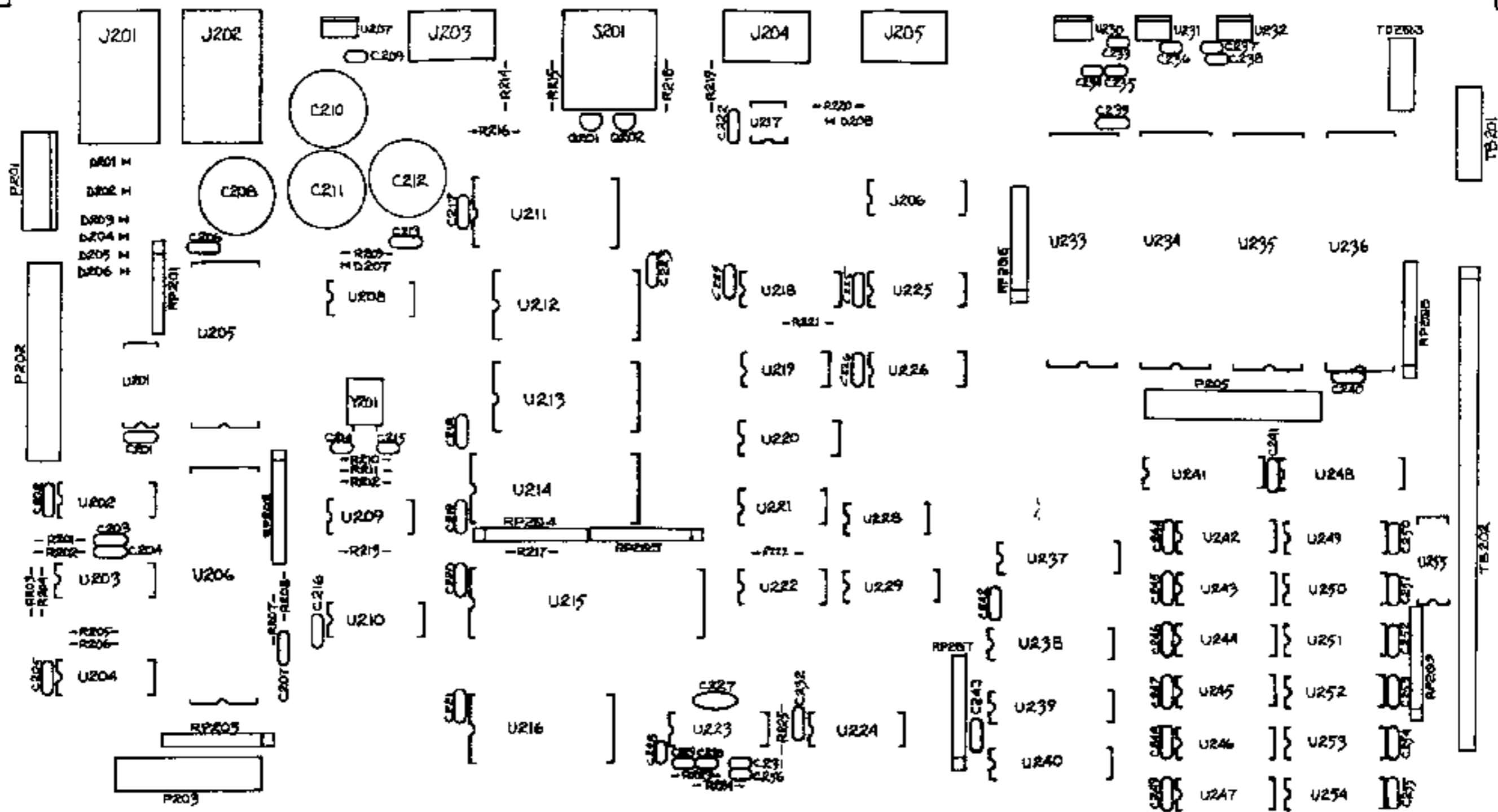
REV: B1

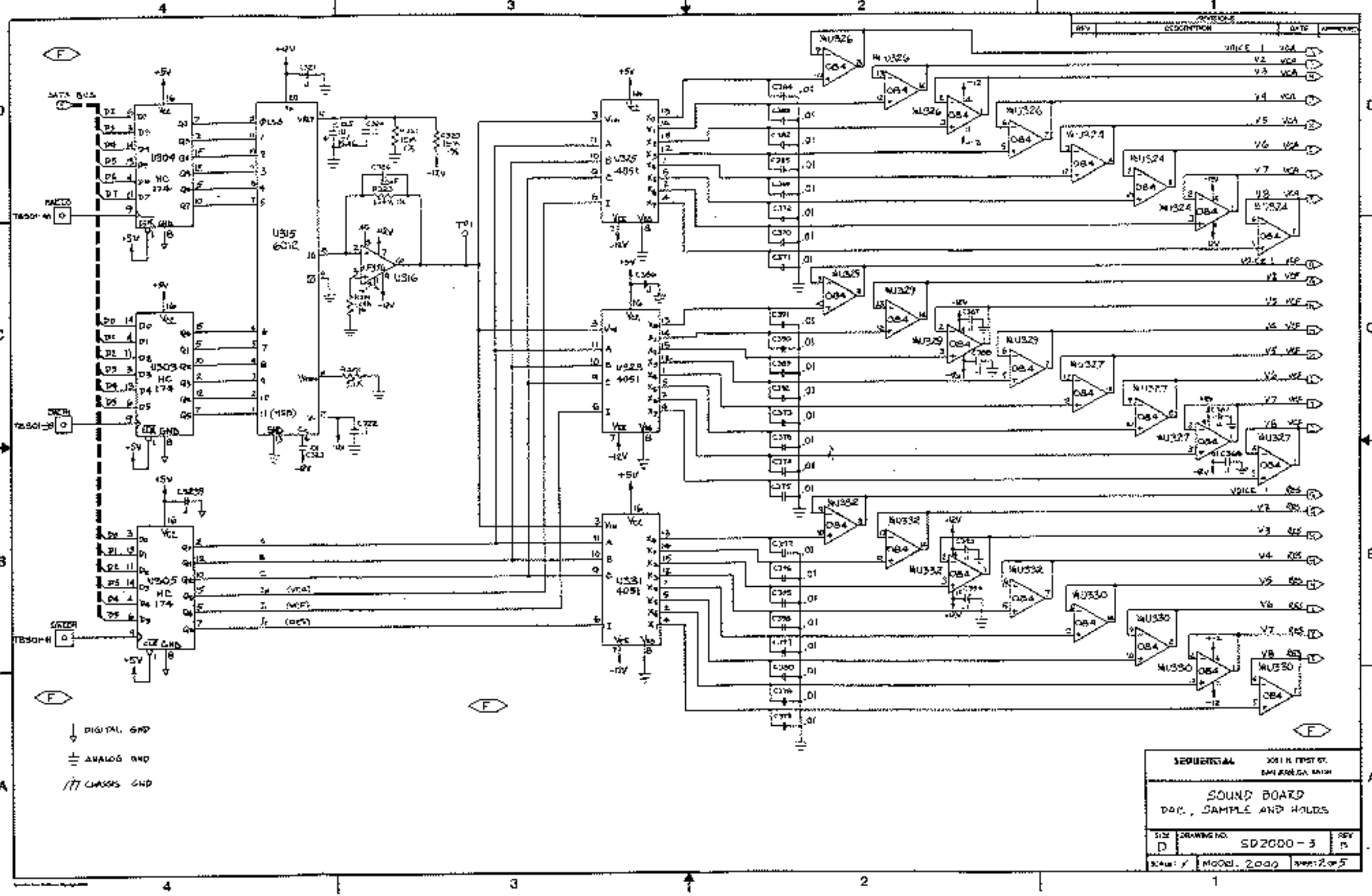
DRAWING NO: S02000-2

SCALE: 1

SHEET 4 OF 4

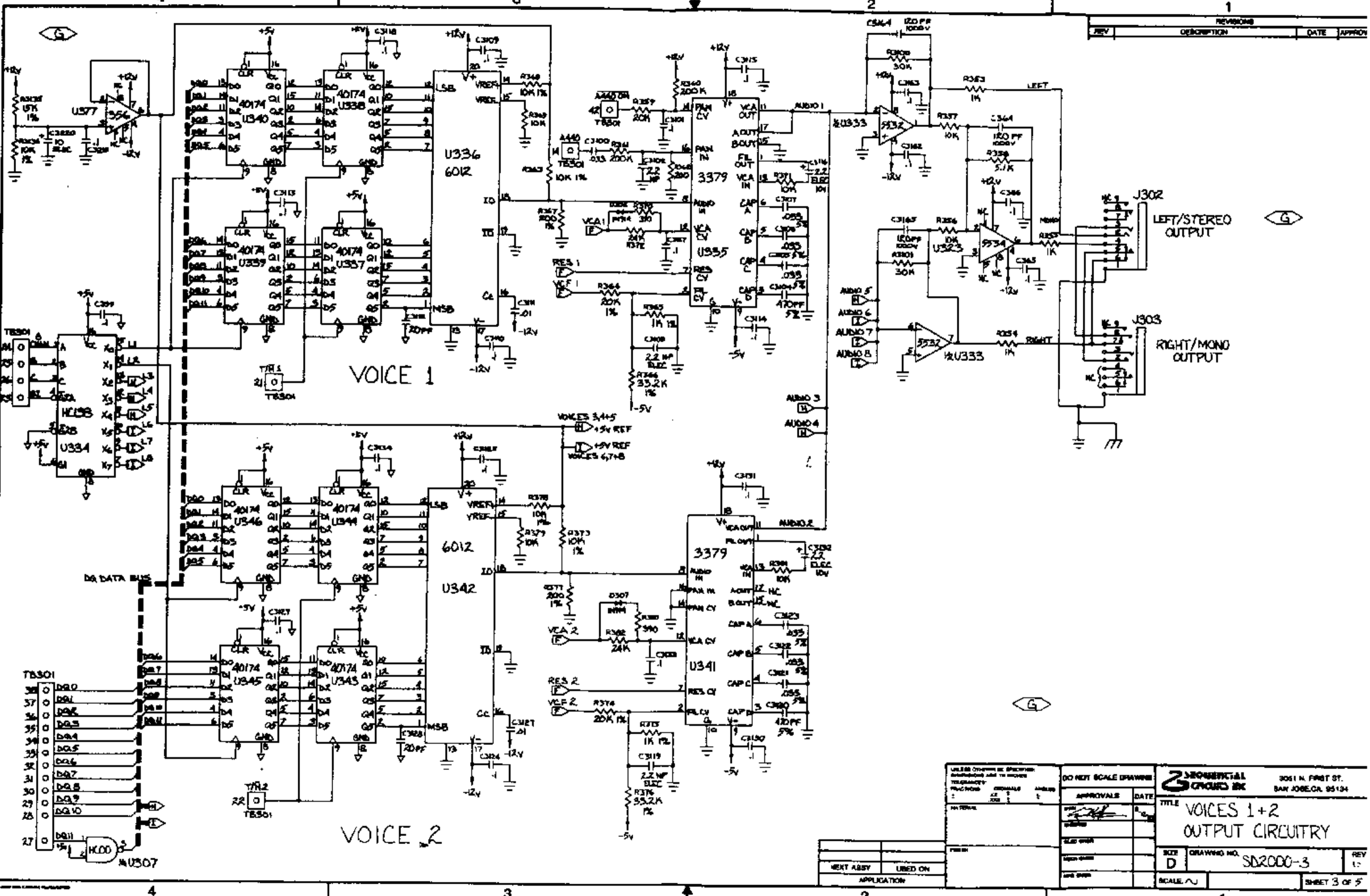
	ZDDG
NEXT ASSY	USED ON
APPLICATION	





REV	DESCRIPTION	DATE	APPROVED
1	VOICE 1	2/68	
2	VO2	3/68	
3	VO3	3/68	
4	VO4		
5	VO5		
6	VO6		
7	VO7		
8	VO8		
9	VOICE 1	1/69	
10	VO9		
11	VO10		
12	VO11		
13	VO12		
14	VO13		
15	VO14		
16	VO15		
17	VO16		
18	VO17		
19	VO18		
20	VO19		
21	VO20		
22	VO21		
23	VO22		
24	VO23		
25	VO24		
26	VO25		
27	VO26		
28	VO27		
29	VO28		
30	VO29		
31	VO30		
32	VO31		
33	VO32		
34	VO33		
35	VO34		
36	VO35		
37	VO36		
38	VO37		
39	VO38		
40	VO39		
41	VO40		
42	VO41		
43	VO42		
44	VO43		
45	VO44		
46	VO45		
47	VO46		
48	VO47		
49	VO48		
50	VO49		
51	VO50		
52	VO51		
53	VO52		
54	VO53		
55	VO54		
56	VO55		
57	VO56		
58	VO57		
59	VO58		
60	VO59		
61	VO60		
62	VO61		
63	VO62		
64	VO63		
65	VO64		
66	VO65		
67	VO66		
68	VO67		
69	VO68		
70	VO69		
71	VO70		
72	VO71		
73	VO72		
74	VO73		
75	VO74		
76	VO75		
77	VO76		
78	VO77		
79	VO78		
80	VO79		
81	VO80		
82	VO81		
83	VO82		
84	VO83		
85	VO84		
86	VO85		
87	VO86		
88	VO87		
89	VO88		
90	VO89		
91	VO90		
92	VO91		
93	VO92		
94	VO93		
95	VO94		
96	VO95		
97	VO96		
98	VO97		
99	VO98		
100	VO99		
101	VO100		

SEQUENTIAL		JOB # 11 FIRST BY	
		EMERSON, BOSTON	
SOUND BOARD			
DAC, SAMPLE AND HOLDS			
SIZE	DRAWING NO.	REV	
D	SD2000-3	15	
SCALE	MODEL	DATE	
1	2000	2/68	



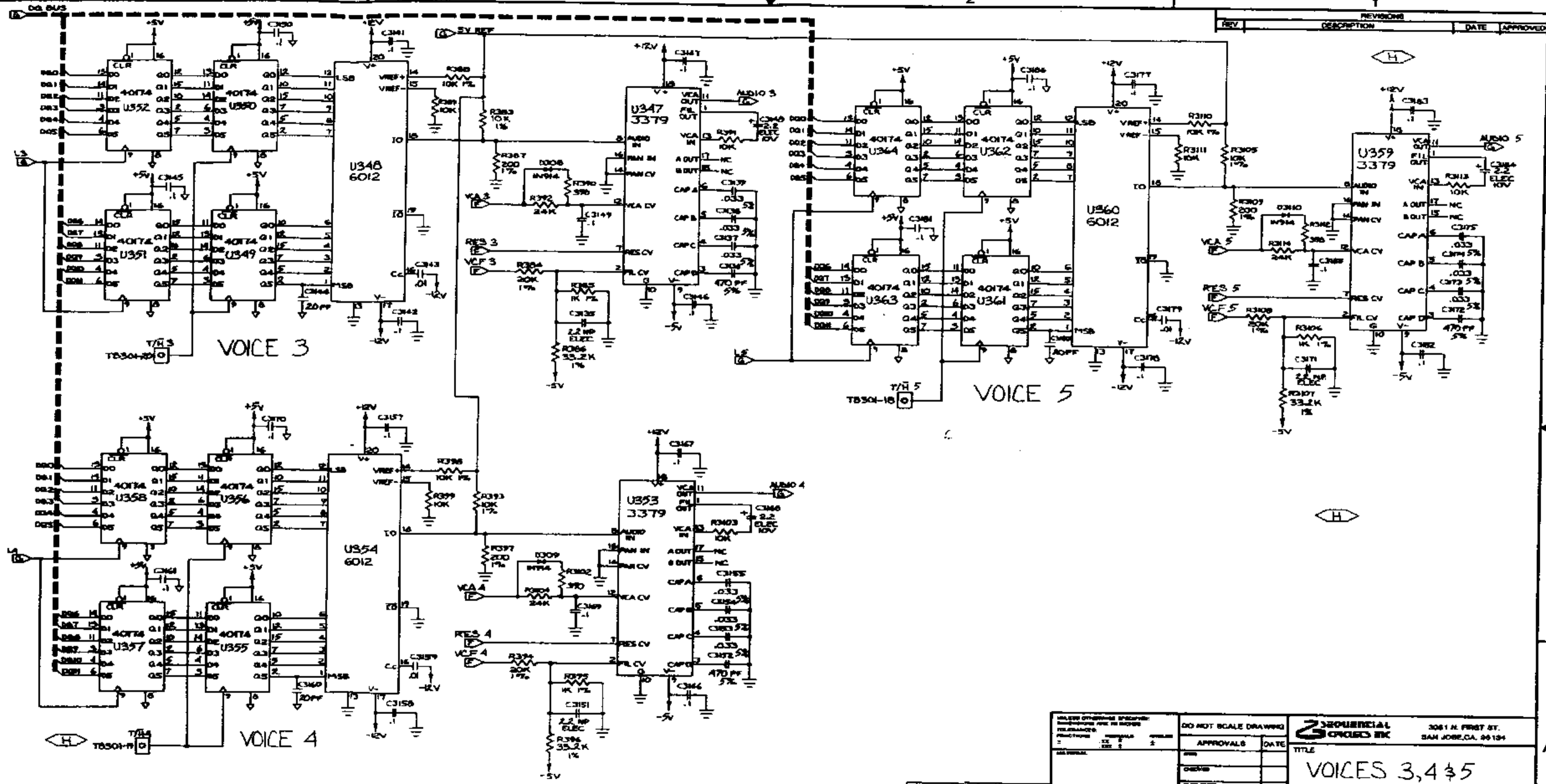
TB301

38	DQ0
37	DQ1
36	DQ2
35	DQ3
34	DQ4
33	DQ5
32	DQ6
31	DQ7
30	DQ8
29	DQ9
28	DQ10
27	DQ11

U307

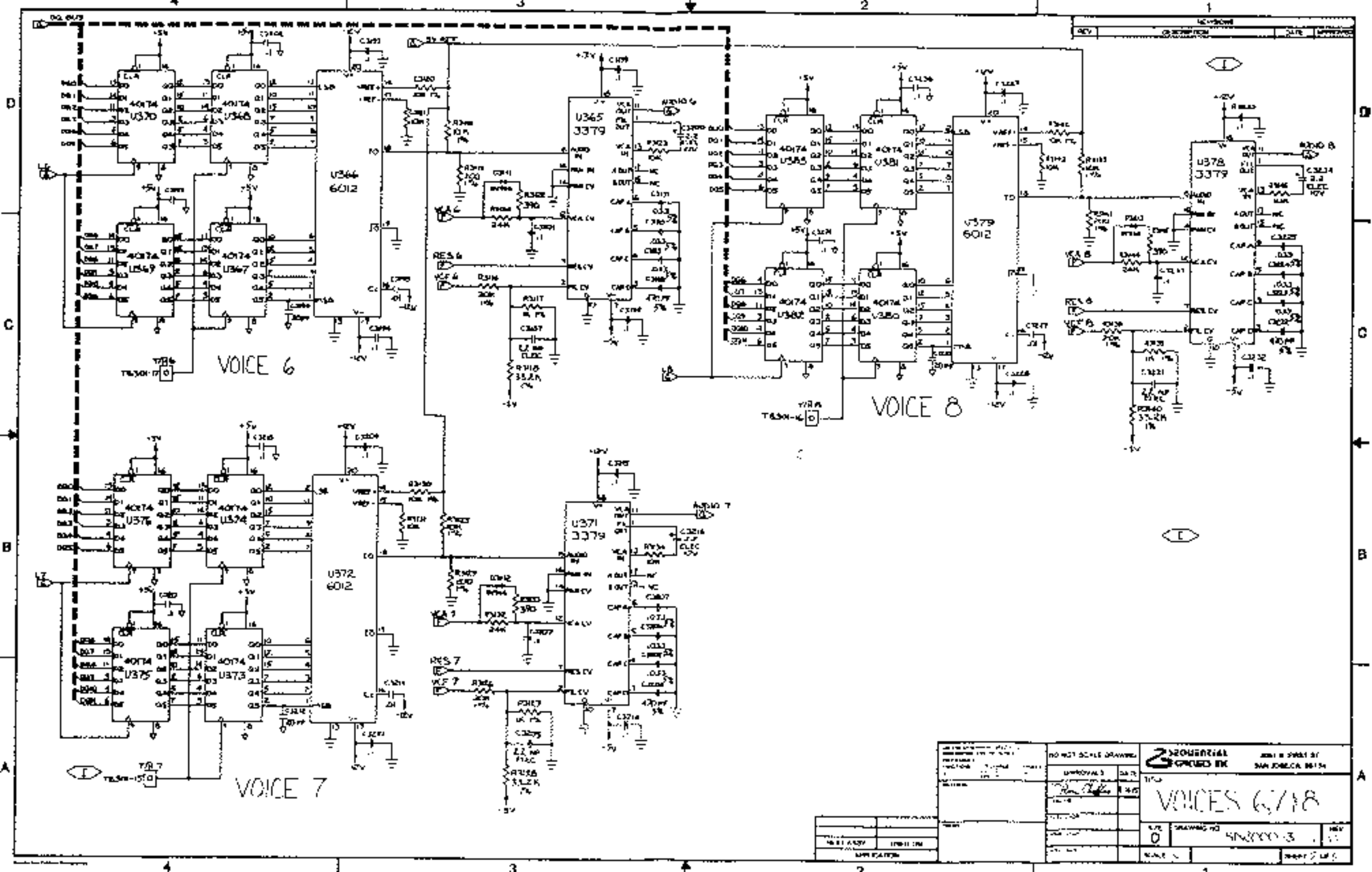
DO NEXT SCALE DRAWING		3 SHOREVIEW & CIRCUIS INC. 3061 N. FIRST ST. SAN JOSE, CA 95134	
APPROVALS	DATE	TITLE	
<i>[Signature]</i>		VOICES 1+2 OUTPUT CIRCUITRY	
SIZE D	DRAWING NO. SD2000-3	REV	
SCALE 1/1	SHEET 3 OF 5		

REV	DESCRIPTION	DATE	APPROVED



<small>UNLESS OTHERWISE SPECIFIED: DIMENSIONS ARE IN INCHES FRACTIONS TOLERANCES</small>	DO NOT SCALE DRAWING	SEQUENTIAL CYCLES INC. <small>3061 N. FIRST ST. SAN JOSE, CA. 95134</small>
	APPROVALS	
DESIGN		TITLE
		VOICES 3,4 & 5
		SIZE D
		DRAWING NO. SD2000-3
		REV B
		SCALE ~
		SHEET 4 OF 5

NEXT ASSY	USED ON
APPLICATION	



VOICE 6

VOICE 8

VOICE 7

DO NOT SCALE DRAWING APPROVALS: DATE: 11/4/78 DRAWING NO: 542000-3 REV: 1		COMMERCIAL INTEGRATED INC. NEW YORK, NY 10014
TITLE: VOICES 6/7/8		SHEET 2 OF 2

PI01

RI01

SI01

DS101
DS102
DS103

C12
R103

SI02
SI03

DS104
SI04

SI05
DS105

SI06
DS106

SI07
DS107

SI08
DS108
DS109
DS110
DS111

SI09

RF101
U101
U102
U103
U104

J101

U105
U106
U107

U108
U109

RP102

DS110
SI10

DS111
SI11

DS112
SI12

DS113
SI13

DS114
SI14

DS115
SI15

DS116
SI16

DS117
SI17

DS118
SI18

DS119
SI19

DS120
SI20

DS121
SI21

DS122
SI22

DS123
SI23

DS124
SI24

TB101
1
2
3

16302

-R301-

32

